

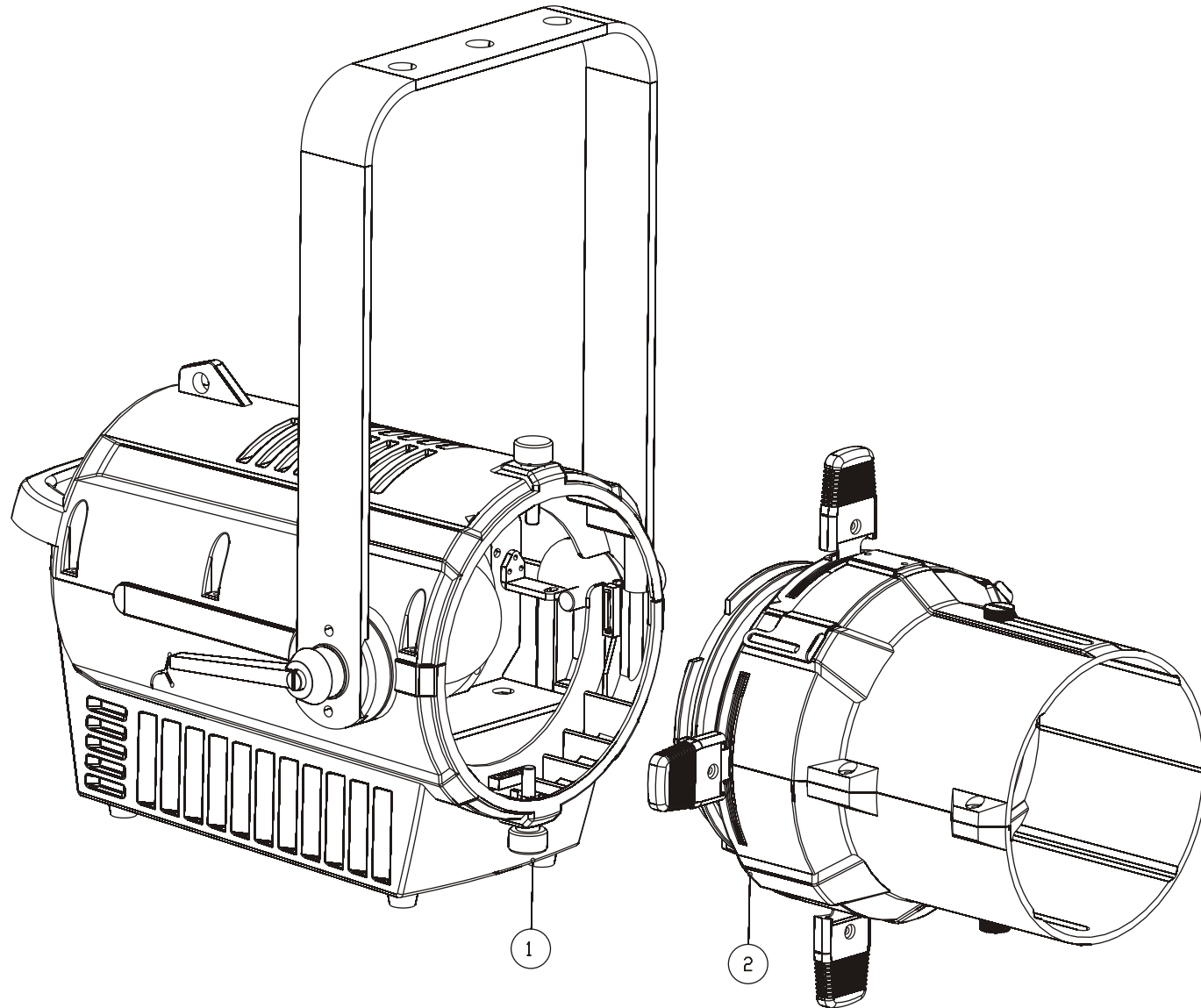
Service manual

CW PROFILE HP

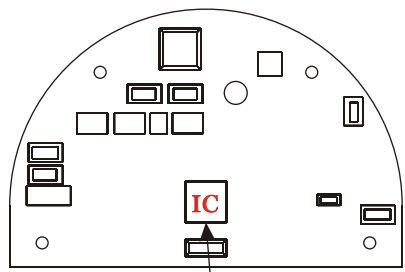
- ✘ Exploded Diagrams
- ✘ Circuit Diagrams
- ✘ Wiring Diagrams
- ✘ Parts List



PRODUCT		CW Profile HP	
PIC. NO.		Front Page	Series No. N/A
EDIT		FILE NO.	HY-EXP-1727A
CHECK		ORDER NO.	So20170361
APPROVE		VERSION	V110_001

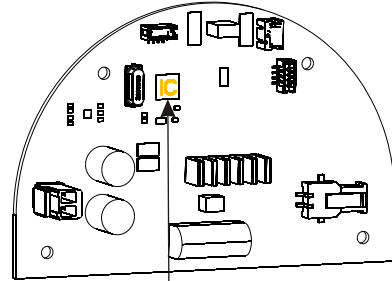


PRODUCT		CW Profile HP			
PIC. NO.		11-0197-00-00-00			
EDIT		FILE NO.	HY-EXP-1727A	PAGE NO.	1/11
CHECK		VERSION	V110_001	DATE	2017.06.09
APPROVE		ECN NO.		DATE	



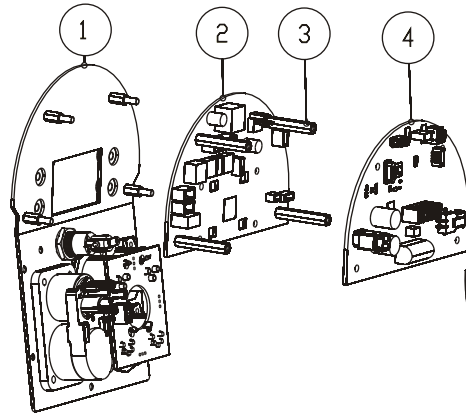
3

27



28

4

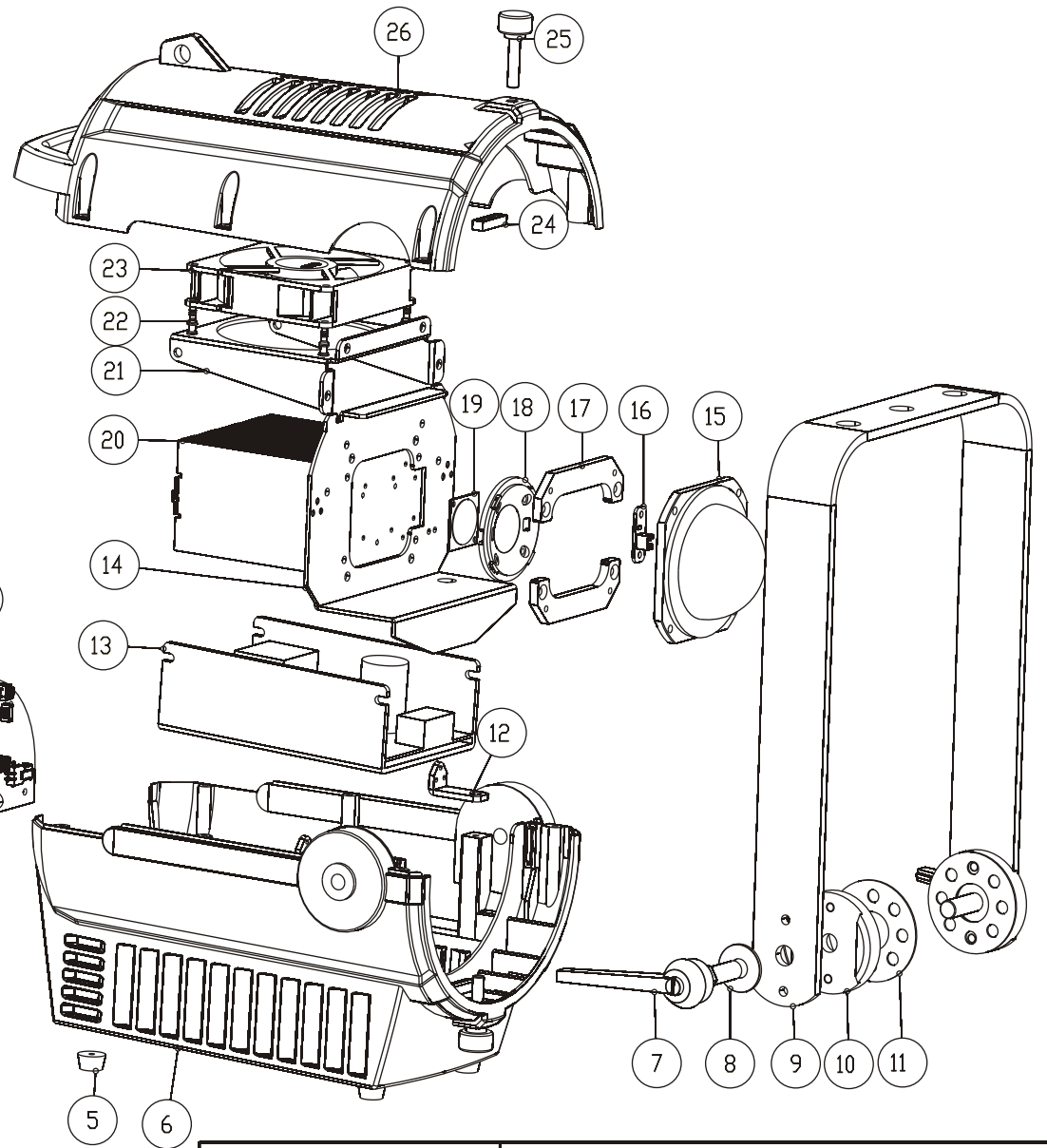


1

2

3

4



26

25

24

23

22

21

20

19

18

17

16

15

14

13

12

7

8

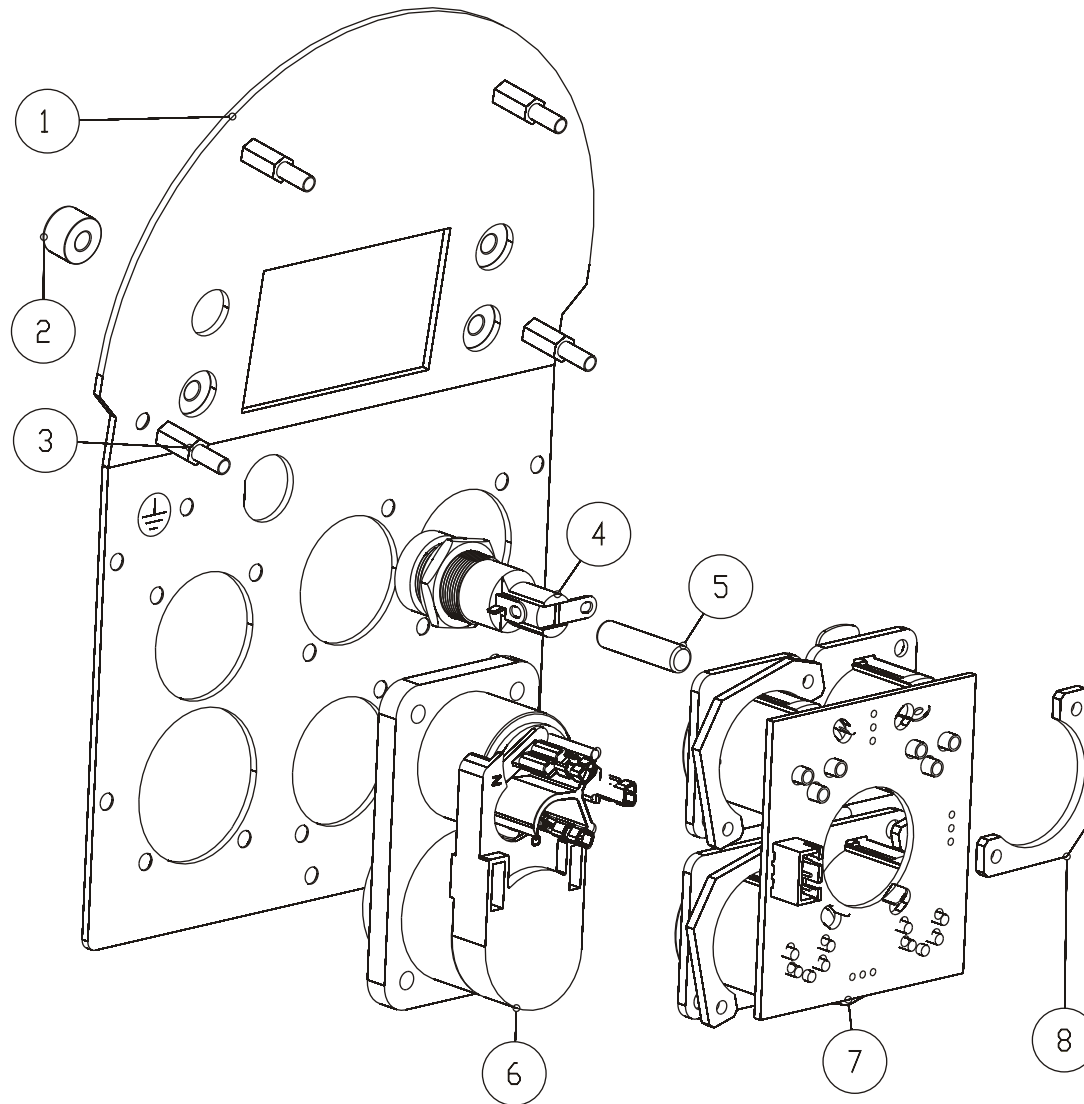
6

9

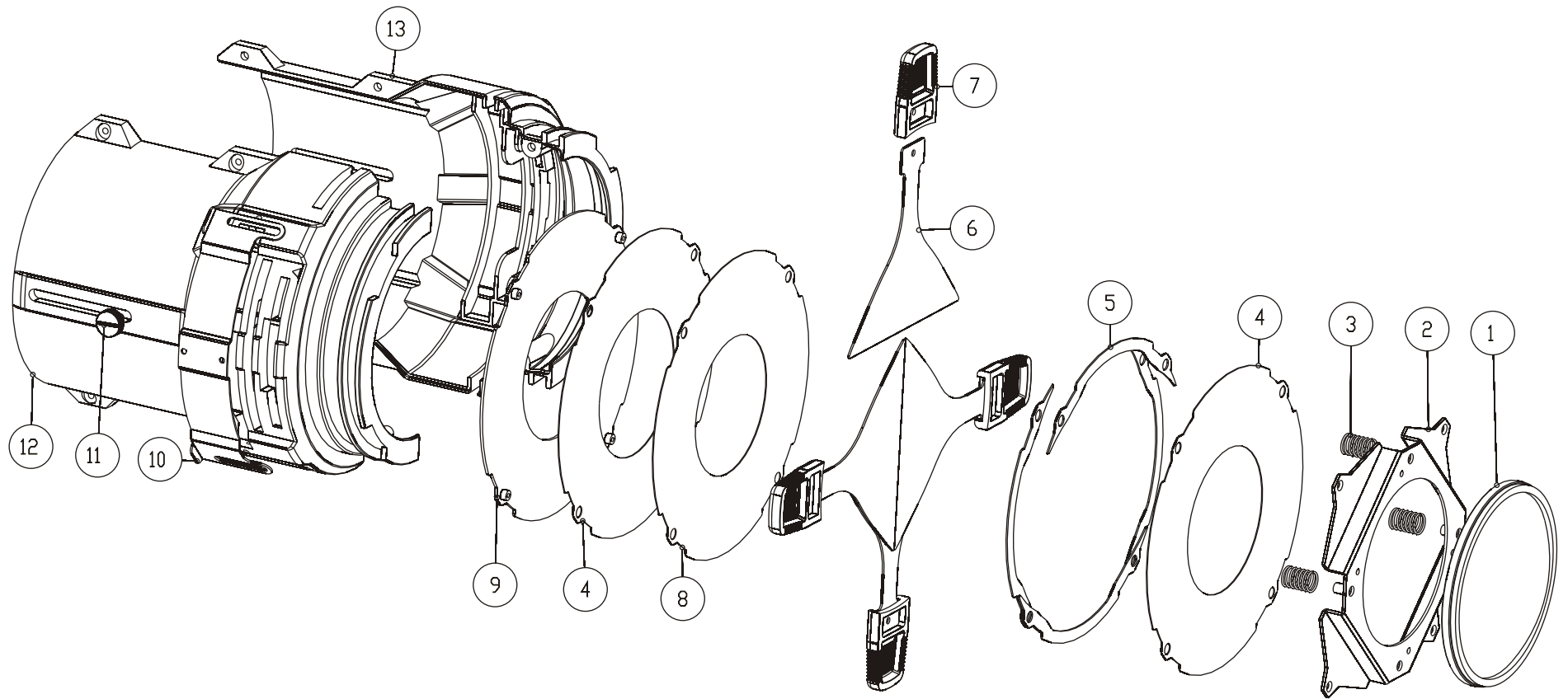
10

11

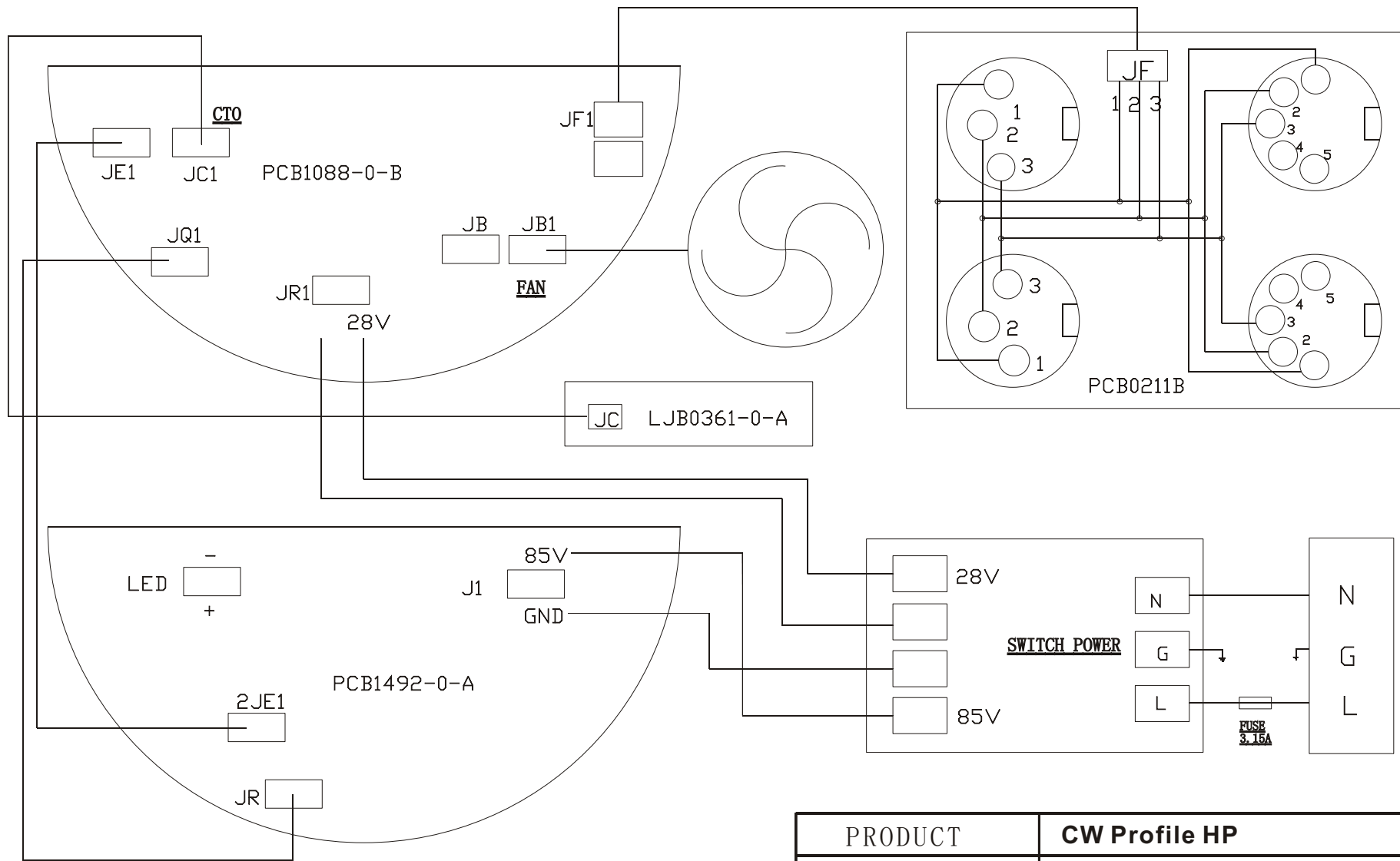
PRODUCT		CW Profile HP			
PIC. NO.		11-0190-01-00-00			
EDIT		FILE NO.	HY-EXP-1727A	PAGE NO.	2/11
CHECK		VERSION	V110_001	DATE	2017.06.09
APPROVE		ECN NO.		DATE	



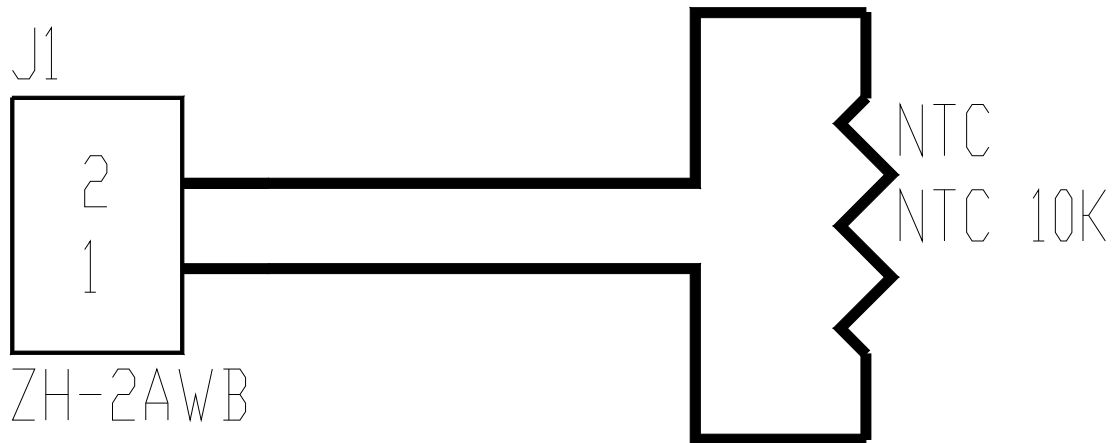
PRODUCT		CW Profile HP			
PIC. NO.		11-0190-01-02-00			
EDIT		FILE NO.	HY-EXP-1727A	PAGE NO.	3/11
CHECK		VERSION	V110_001	DATE	2017.06.09
APPROVE		ECN NO.		DATE	



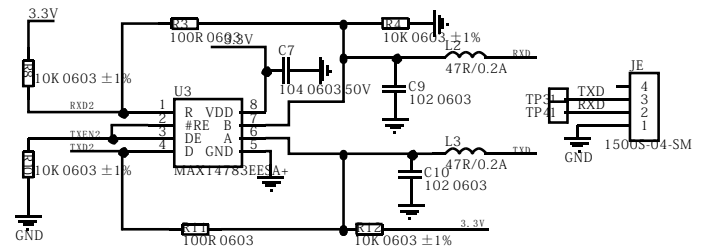
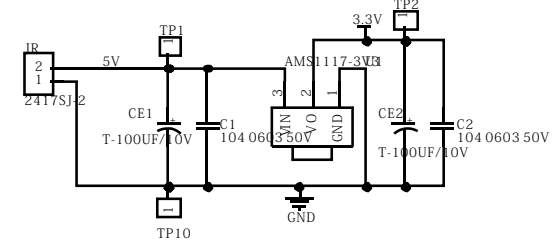
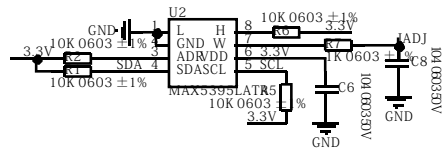
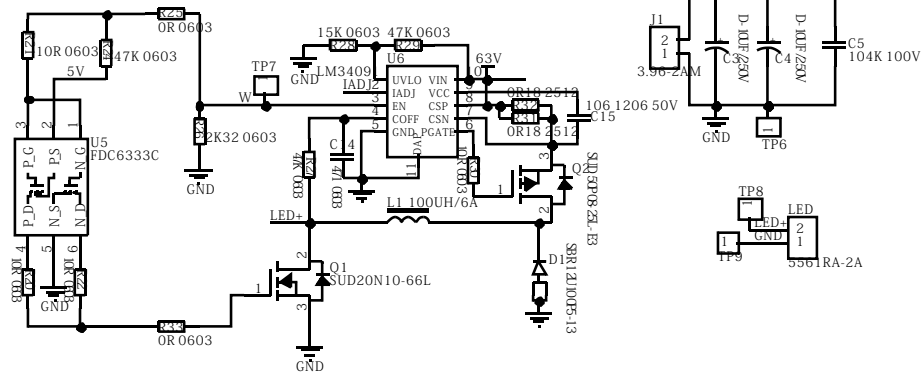
PRODUCT		CW Profile HP			
PIC. NO.		11-0190-02-00-00			
EDIT		FILE NO.	HY-EXP-1727A	PAGE NO.	4/11
CHECK		VERSION	V110_001	DATE	2017.06.09
APPROVE		ECN NO.		DATE	



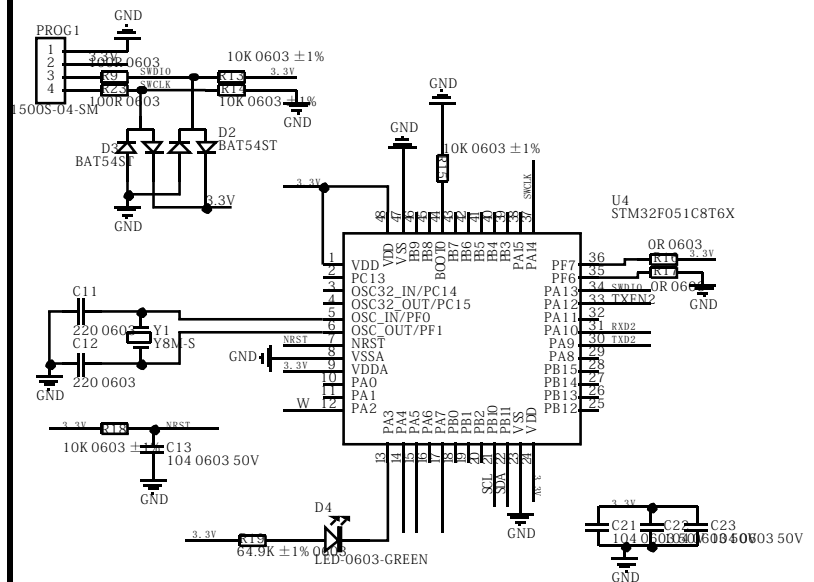
PRODUCT		CW Profile HP			
PIC. NO.		CW Profile HP ELECTRIC			
EDIT		FILE NO.	HY-WIJL-L042	PAGE NO.	5/11
CHECK		VERSION	NR	DATE	2017. 06. 09
APPROVE		ECN NO.		DATE	



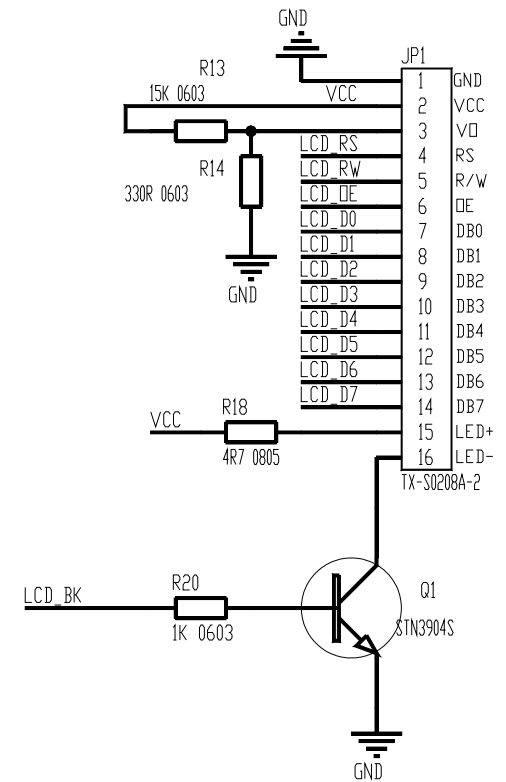
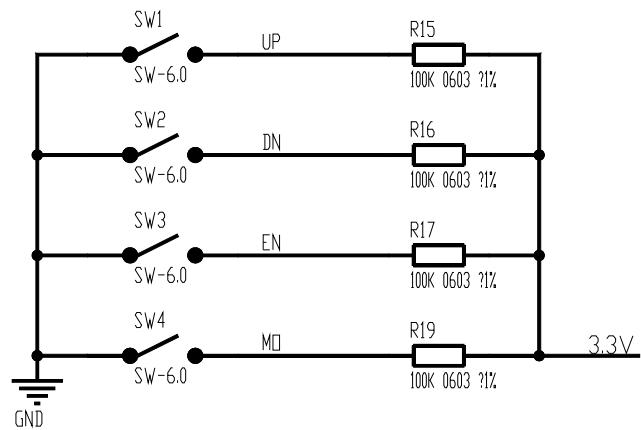
PRODUCT		CW Profile HP			
PIC. NO.		LJB0361-0-A SCHEME			
EDIT		FILE NO.	HY-WIEC-1715	PAGE NO.	6/11
CHECK		VERSION	NR	DATE	2017. 06. 09
APPROVE		ECN NO.		DATE	



TTL通信, R4,R12,U3不焊

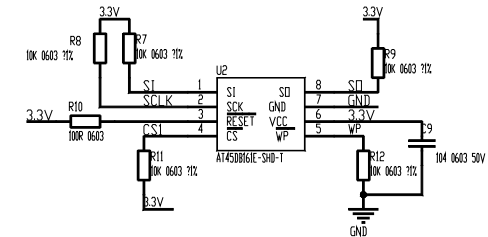
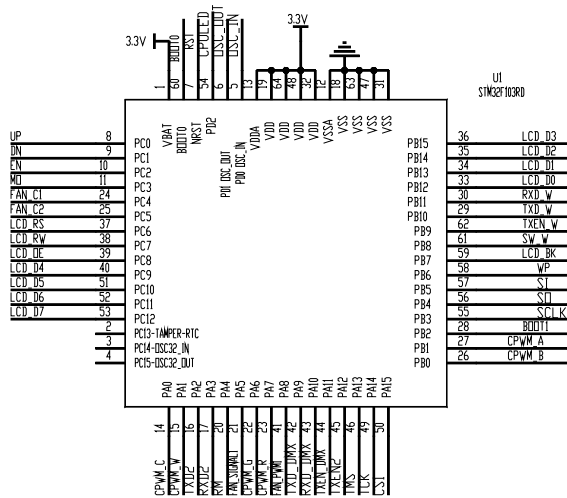
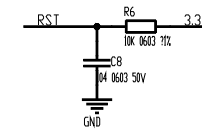
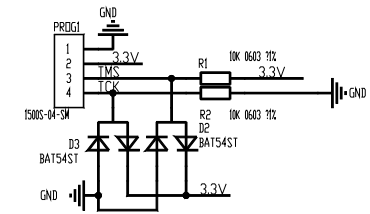
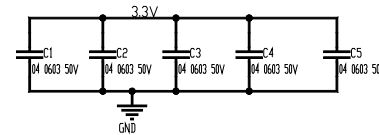
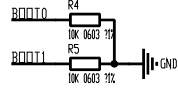
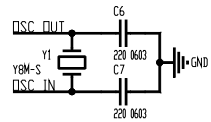
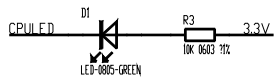


PRODUCT		CW Profile HP			
PIC. NO.		PCB1492-0-A SCHEME			
EDIT		FILE NO.	HY-WIEC-1780	PAGE NO.	7/11
CHECK		VERSION	NR	DATE	2017. 06. 09
APPROVE		ECN NO.		DATE	



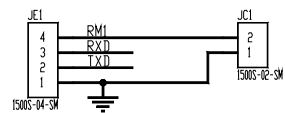
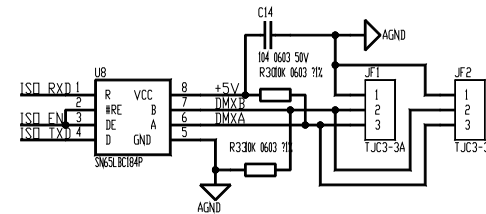
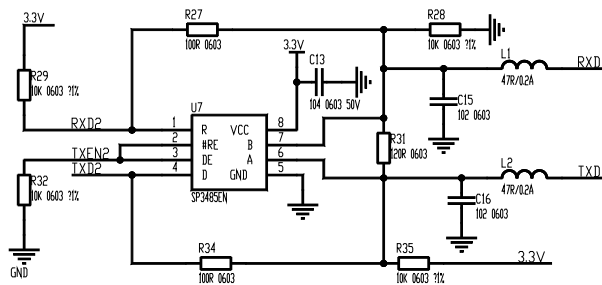
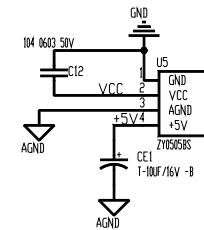
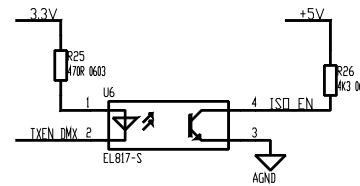
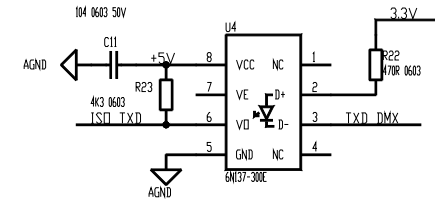
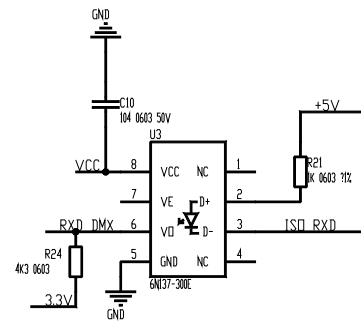
LCD

PRODUCT		CW Profile HP			
PIC. NO.		PCB1088-0-B SCHEME (1/4)			
EDIT		FILE NO.	HY-WIEC-1378	PAGE NO.	8/11
CHECK		VERSION	NR	DATE	2017. 06. 09
APPROVE		ECN NO.		DATE	

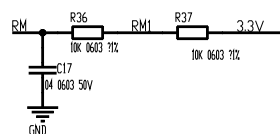


PCB1088-0-B

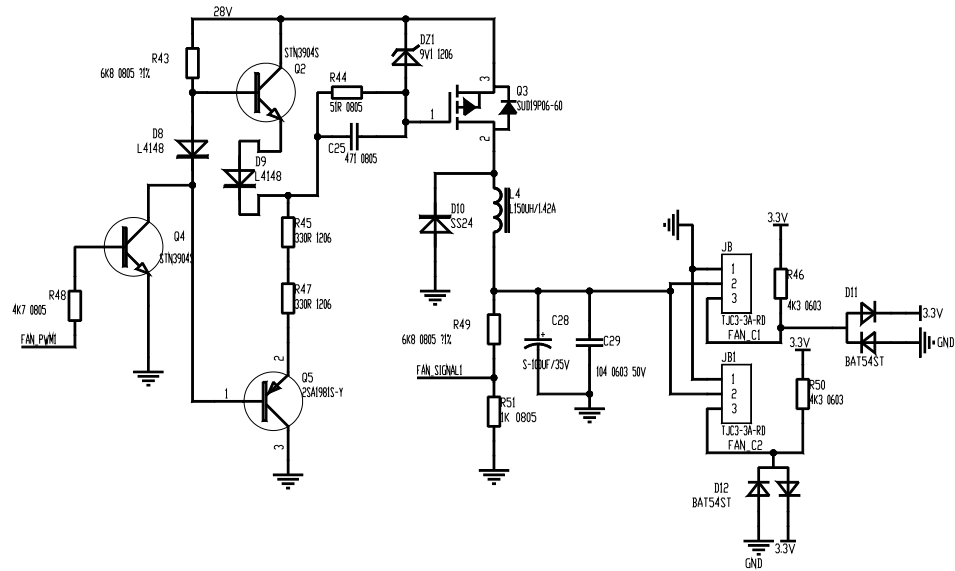
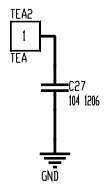
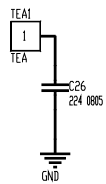
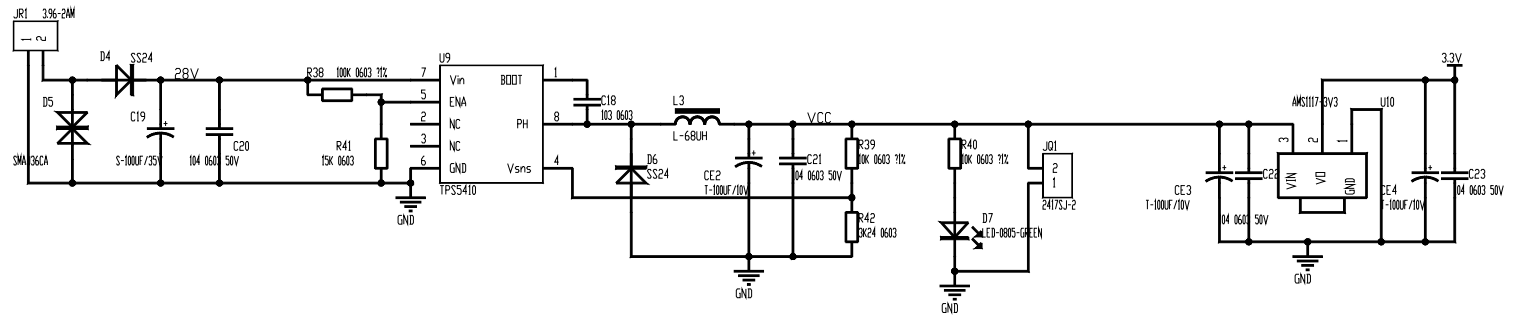
PRODUCT		CW Profile HP			
PIC. NO.		PCB1088-0-B SCHEME (2/4)			
EDIT		FILE NO.	HY-WIEC-1378	PAGE NO.	9/11
CHECK		VERSION	NR	DATE	2017. 06. 09
APPROVE		ECN NO.		DATE	



SP1485/R32/R35/R39 NC



PRODUCT		CW Profile HP			
PIC. NO.		PCB1088-0-B SCHEME (3/4)			
EDIT		FILE NO.	HY-WIEC-1378	PAGE NO.	10/11
CHECK		VERSION	NR	DATE	2017. 06. 09
APPROVE		ECN NO.		DATE	



PRODUCT		CW Profile HP			
PIC. NO.		PCB1088-0-B SCHEME (4/4)			
EDIT		FILE NO.	HY-WIEC-1378	PAGE NO.	11/11
CHECK		VERSION	NR	DATE	2017. 06. 09
APPROVE		ECN NO.		DATE	